

rooms

EXCLUSIVE FLOORING

Our new and exciting **rooms** collection consists of numerous exclusive decors offering the whole spectrum of professional laminate flooring from the old 3 strip favourite to the highly refined rustic oak.

Environmental protection	4
Product range	6
penthouse	8
loft	16
suite	26
studio	38
Surfaces	52
Installation	53
Underlayments	54
Skirtings	55



environmental protection from the very start

We provide you with complete transparency in order to compare us fairly with other manufacturers. Through the Environmental Product Declaration (EPD) we are disclosing fully and voluntarily the ecological tally of our wooden products. The EPD is allocated by the 'Institut Bauen und Umwelt' (institute for building and the environment) and is recognised worldwide as an ecolabel according to ISO standard 14025. The focus of our environmental management is on ecological efficiency. Each product leaving our factory has to be not only excellent value for money but also has to be ecologically sound during the whole of its life cycle. This ranges from using certified raw materials coming from



sustainable forestry, to our strictly controlled production processes, and the long product life all the way to its environmentally friendly disposal. In order to achieve solid improvements in all our operations, we provide continuous information and seminars to strengthen the ecological awareness of all our employees.



penthouse



Depth: 12 mm

EXTREMELY DURABLE
CLASSIC PLANK APPEARANCE (V-GROOVE)
NATURALLY SOUND ABSORBING
ANTISTATIC

BOARD 1375 × 188 × 12 mm
BOX 5 boards = 1.293 m²
PALLET 56 boxes = 72.38 m²

GUARANTEE
30 years in domestic settings
5 years in commercial settings
subject to manufacturer's conditions



33 / AC 5

loft



Depth: 10 mm

CLASSIC PLANK APPEARANCE (V-GROOVE)
NATURALLY SOUND ABSORBING
REALISTIC WOOD TEXTURE

BOARD 1380 × 193 × 10 mm
BOX 6 boards = 1.598 m²
PALLET 56 boxes = 89.49 m²

GUARANTEE
30 years in domestic settings
5 years in commercial settings
subject to manufacturer's conditions



33 / AC 5

suite



Depth: 8 mm

CLASSIC PLANK APPEARANCE (V-GROOVE)
REALISTIC WOOD TEXTURE

BOARD 1380 × 157 × 8 mm
BOX 8 boards = 1.733 m²
PALLET 40 boxes = 69.32 m²

BOARD 1380 × 193 × 8 mm
BOX 8 boards = 2.131 m²
PALLET 56 boxes = 119.32 m²



32 / AC 5

GUARANTEE

25 years in domestic settings
3 years in commercial settings
subject to manufacturer's conditions

studio



Depth: 8 mm

CLASSIC DECORS

BOARD 1380 × 193 × 8 mm
BOX 8 boards = 2.131 m²
PALLET 56 boxes = 119.32 m²

GUARANTEE
25 years in domestic settings
3 years in commercial settings
subject to manufacturer's conditions



32 / AC 5



TITAN OAK

Decor R 1211

penthouse



Perfection, elegance, resilience – **penthouse** is ideal both for the floor of a luxurious home or for commercial applications of the highest demands – be it a hotel lobby or a conference room. The 12 mm thickness offers an exceptional noise reduction, outstanding durability and ease of installation.



Made in 
Germany 

penthouse



Hard to distinguish even for a professional:
Our NR structure (Naturally Real), for
example, achieves its striking likeness to
real wood through its precise bonding of
grain and textured surface layers.

BOARD 1375 × 188 × 12 mm



The printed images show true representations of the named decors.



TITAN OAK

1-Strip · V-groove · natural real-wood appearance (NR)

penthouse

Decor R 1211



NATURE OAK

1-Strip · V-groove · natural real-wood appearance (NR)

penthouse

Decor R 1212



LIMED OAK DARK

1-Strip · V-groove · natural real-wood appearance (NR)

penthouse

Decor R 1213



LIMED OAK TITAN

1-Strip · V-groove · natural real-wood appearance (NR)

penthouse

Decor R 1214



WHITE OAK

1-Strip · V-groove · natural real-wood appearance (NR)

penthouse

Decor R 1215



RUSTIC OAK

Decor R 1006

loft



loft combines a creative atmosphere and robust aesthetic with a high degree of practicality.

This collection's strengths are displayed to their best not just in business premises, shops and restaurants, but also in the



Made in 
Germany

modern work-at-home lifestyles of young people.
We guarantee both the high quality of the 10 mm thick
panels as well as their durability under all kinds of uses.

loft



As a conscious contrast to often cool surroundings our **loft** range provides warm, natural tones. The universal texture AW (Allover Wood) gives the look and feel of real wood.

BOARD 1380 × 193 × 10 mm



The printed images show true representations of the named decors.



RUSTIC OAK

1-Strip · V-groove · brushed gloss structure (BW)

loft

Decor R 1006



ELEGANT ELM

1-Strip · V-groove · natural and vivid wood texture (AW)

loft

Decor R 1007

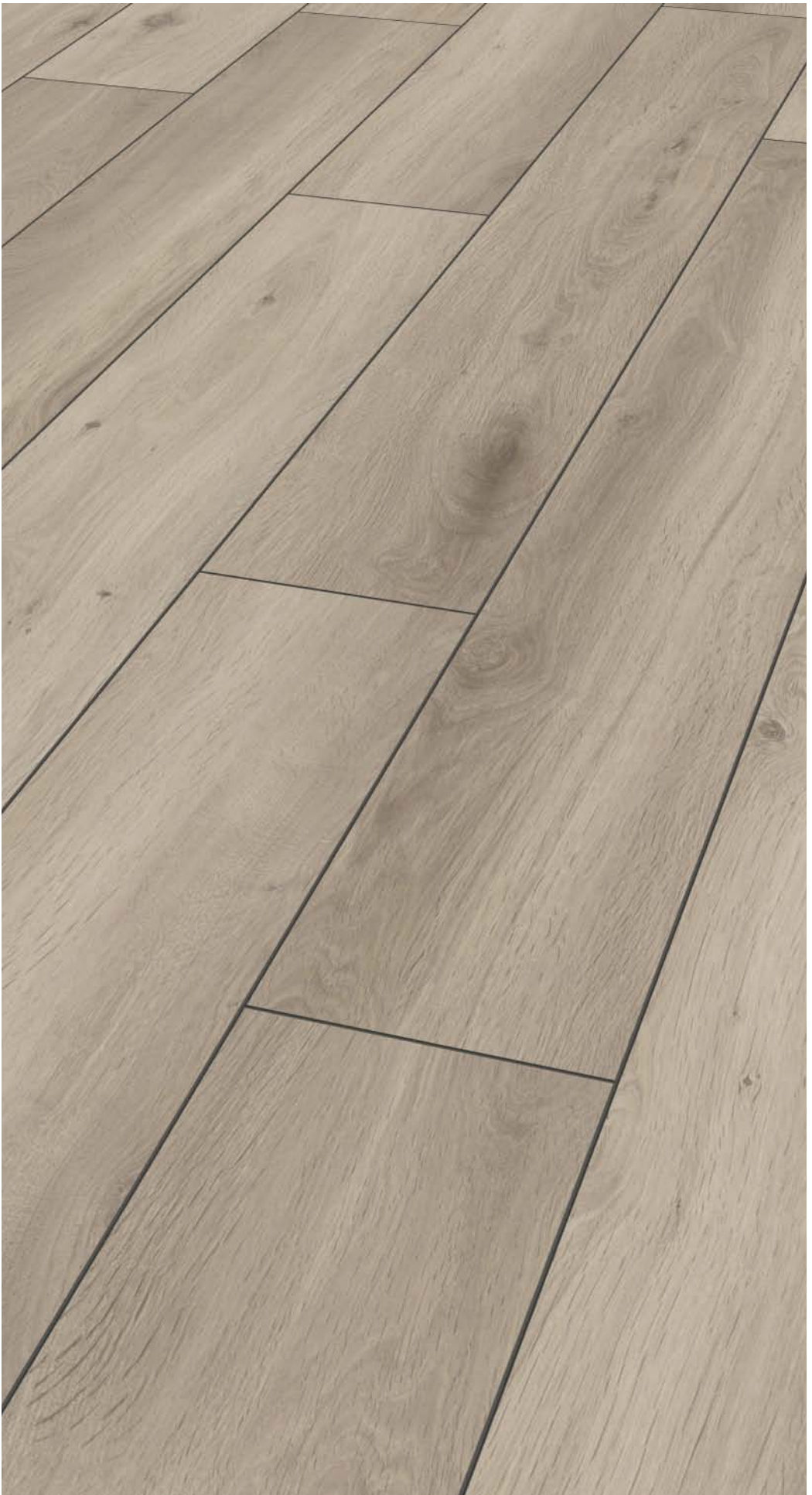


LIGHT PINE

1-Strip · V-groove · natural and vivid wood texture (AW)

loft

Decor R 1008



SILVER OAK

1-Strip · V-groove · natural real-wood appearance (NR)

loft

Decor R 1009



DARK OAK

1-Strip · V-groove · natural real-wood appearance (NR)

loft

Decor R 1010



FIRED OAK

1-Strip · V-groove · natural and vivid wood texture (AW)

loft

Decor R 1011



RUSTIC OAK
Decor R 1006



LIMED OAK GREY

Decor RV 812

suite



suite's complementary finishes allow large areas to be visually divided, highlighting the differing uses of living and working space. The harmonious range of tones and surfaces work



Made in 
Germany 

together with a room's architecture to create a mixture of places with a coordinated atmosphere which is easy to personalise with furniture or other splashes of colour.

suite



All round V-grooves create a characteristic board impression for the **suite** range. The linear grain structure of this collection's finish, for example in BW (Brushed Wood), give a striking brushed wooden optic.

BOARD 1380 × 157 × 8 mm

BOARD 1380 × 193 × 8 mm



The printed images show true representations of the named decors.

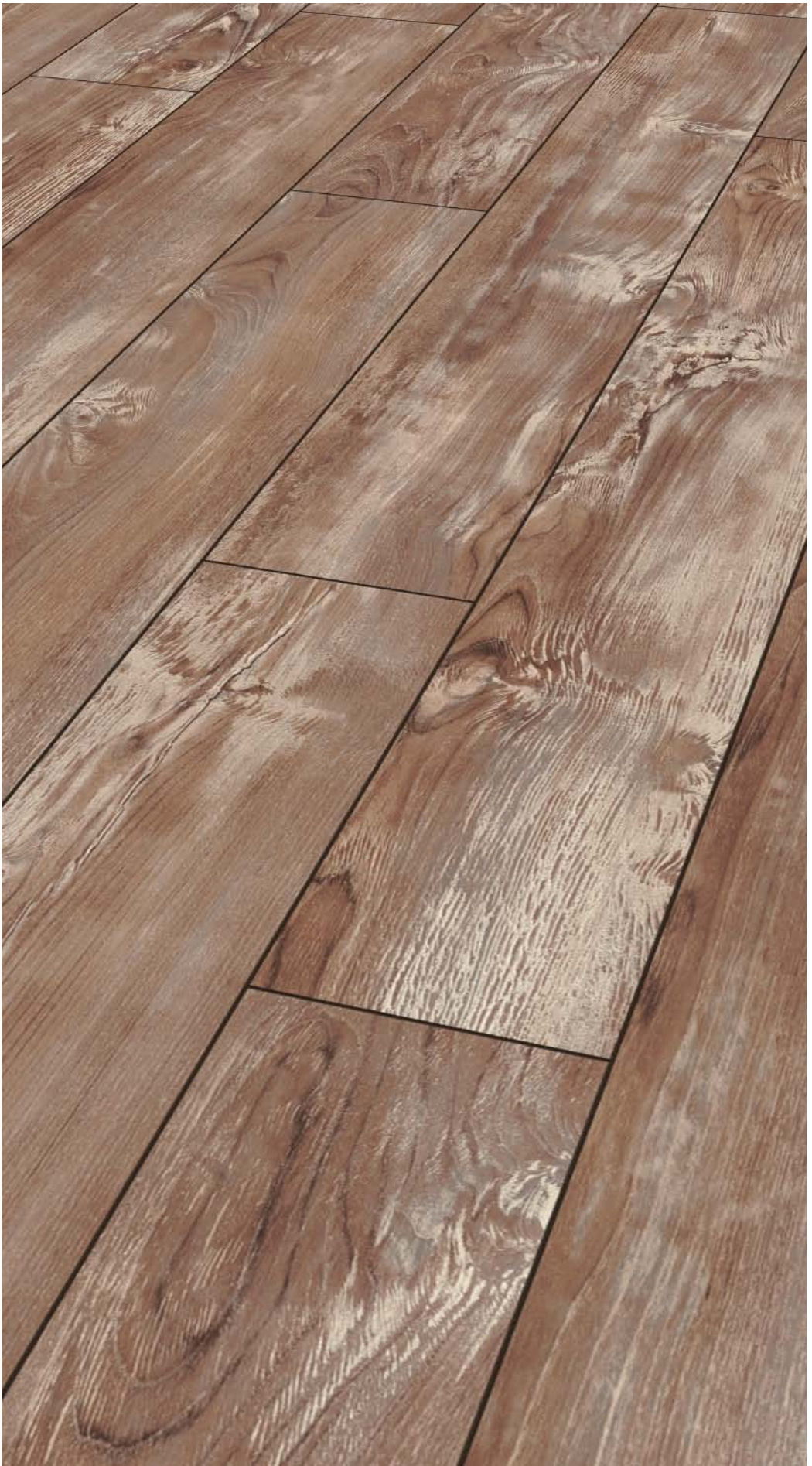


BEIGE OAK

1-Strip · V-groove · brushed gloss structure (BW)
Board 1380 × 193 × 8 mm

suite

Decor RV 803



ELEGANT TEAK

1-Strip · V-groove · natural and vivid wood texture (AW)
Board 1380 × 193 × 8 mm

suite

Decor RV 806



DESIGN ASH

1-Strip · V-groove · natural and vivid wood texture (AW)
Board 1380 × 193 × 8 mm

suite

Decor RV 807



GREY OAK

1-Strip · V-groove · natural and vivid wood texture (AW)
Board 1380 × 193 × 8 mm

suite

Decor RV 808



HONEY OAK

1-Strip · V-groove · natural real-wood appearance (NR)
Board 1380 × 157 × 8 mm | Board 1380 × 193 × 8 mm

suite

Decor RV 809



LIMED OAK BEIGE

1-Strip · V-groove · natural real-wood appearance (NR)
Board 1380 × 157 × 8 mm | Board 1380 × 193 × 8 mm

suite

Decor RV 810

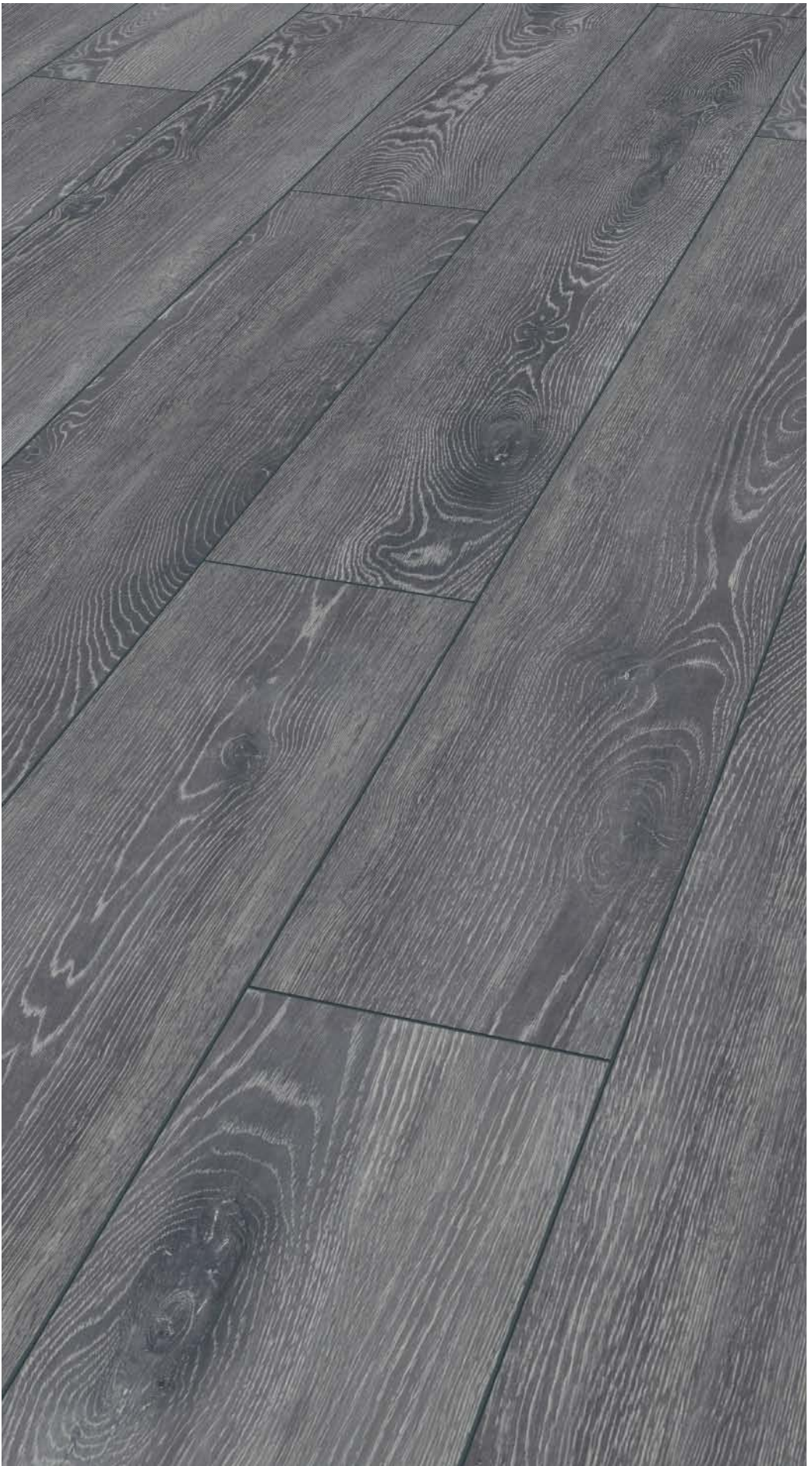


LIMED OAK WHITE

1-Strip · V-groove · natural real-wood appearance (NR)
Board 1380 × 157 × 8 mm | Board 1380 × 193 × 8 mm

suite

Decor RV 811



LIMED OAK GREY

1-Strip · V-groove · natural real-wood appearance (NR)
Board 1380 × 157 × 8 mm | Board 1380 × 193 × 8 mm

suite

Decor RV 812



LIMED OAK NATURE

1-Strip · V-groove · natural real-wood appearance (NR)
Board 1380 × 157 × 8 mm | Board 1380 × 193 × 8 mm

suite

Decor RV 813



studio



Studio gracefully lends itself to uses all over: it is equally suited to a functional kitchen as children's rooms; to studies as well as stylish living areas. **studio** meets the demands of almost every space.



ELM

Decor R 0806

Made in 
Germany

studio



Classically elegant decors and carefully selected surface finishes make this collection the very best. Those who get the taste for exclusive, professionally-laid laminate, will never want anything else.

BOARD 1380 × 193 × 8 mm



The printed images show true representations of the named decors.

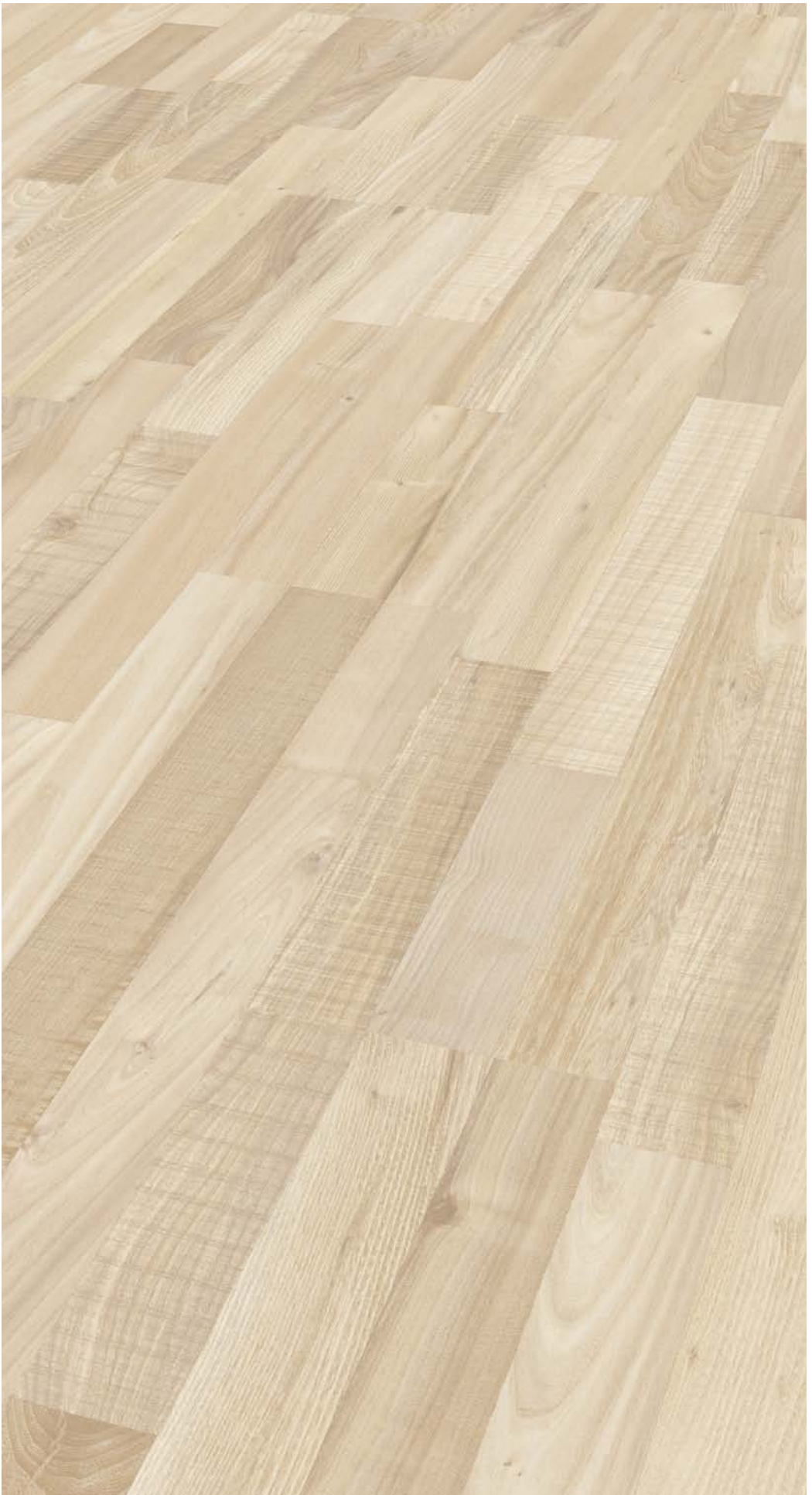


BEECH

3-Strip · brushed grain structure (MW)

studio

Decor R 0803

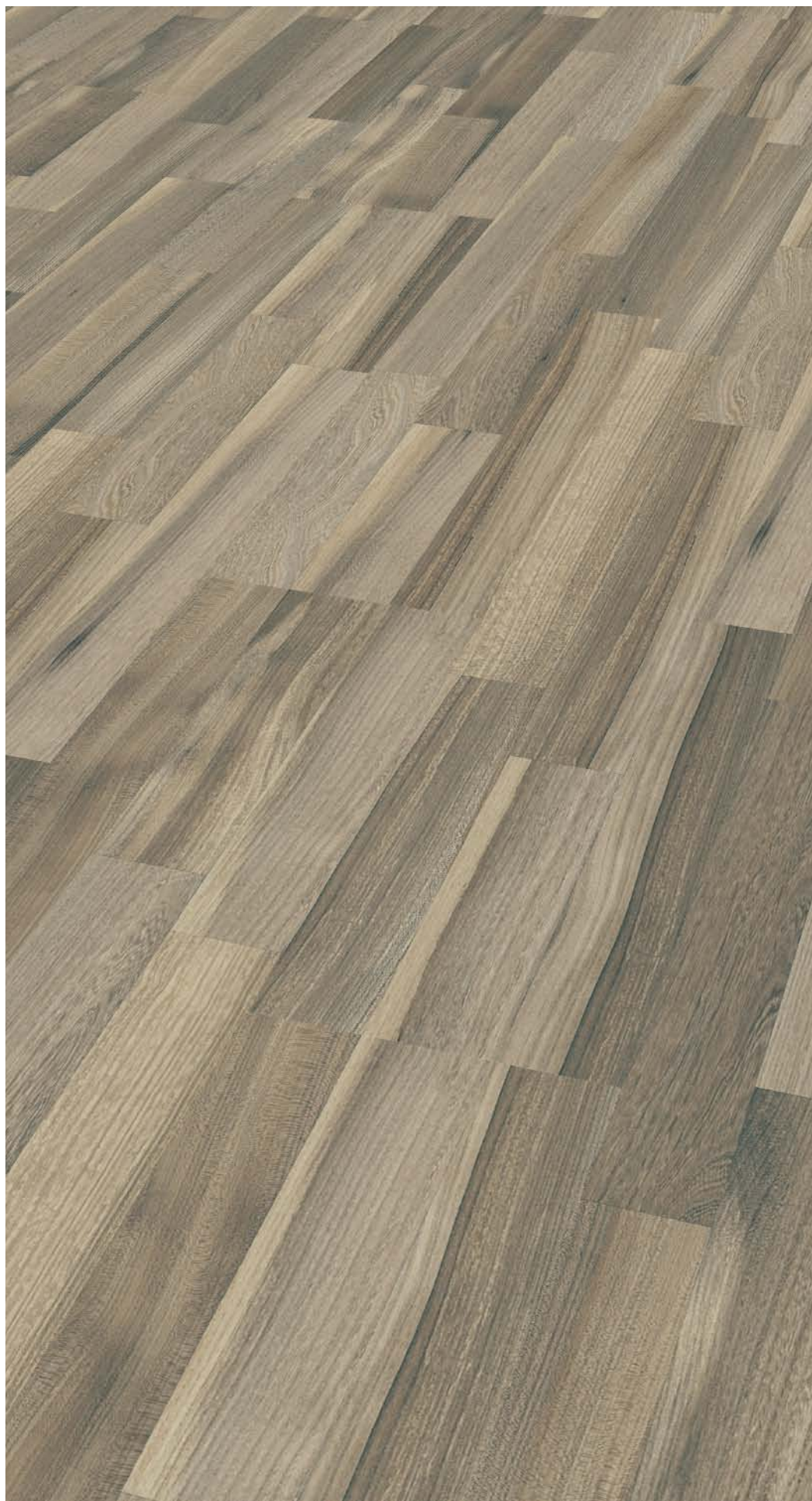


NATURE ELM

3-Strip · brushed gloss structure (BW)

studio

Decor R 0805



ELM

3-Strip · brushed gloss structure (BW)

studio

Decor R 0806



NATURE OAK

3-Strip · brushed gloss structure (BW)

studio

Decor R 0811



MULTI-STRIP

Multi-strip · natural and vivid wood texture (AW)

studio

Decor R 0824



BRONZE OAK

2-Strip · natural and vivid wood texture (AW)

studio

Decor R 0825



ELEGANT OAK

2-Strip · natural and vivid wood texture (AW)

studio

Decor R 0826



ELEGANT OAK WHITE

2-Strip · natural and vivid wood texture (AW)

studio

Decor R 0827



ELEGANT OAK DARK

2-Strip · natural and vivid wood texture (AW)

studio

Decor R 0828



ORIGINALLY SPRUCE

2-Strip · natural and vivid wood texture (AW)

studio

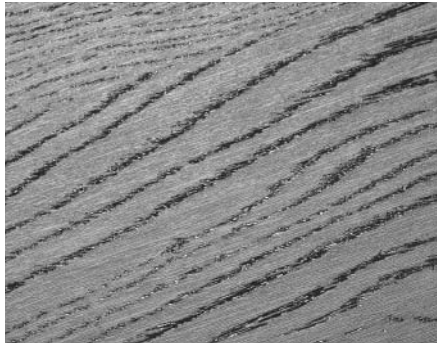
Decor R 0829



ELM

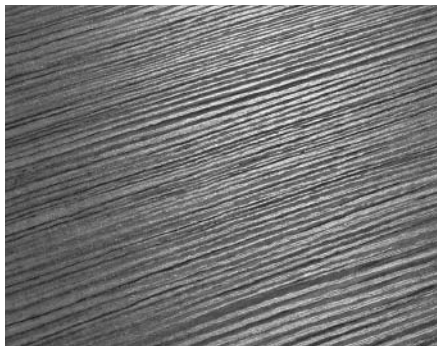
Decor R 0806

surfaces



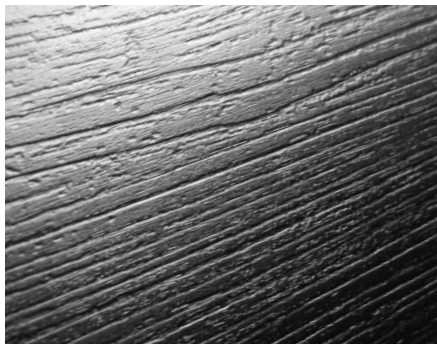
NR

100% realistic wood appearance,
combined with the perfection
of laminate



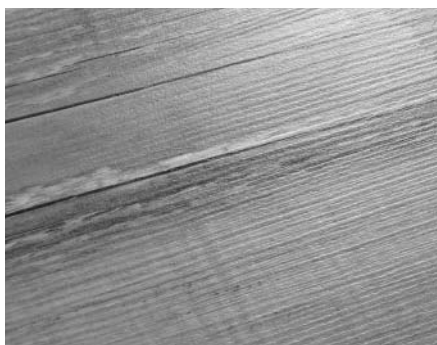
BW

brushed structure with
differing gloss levels



AW

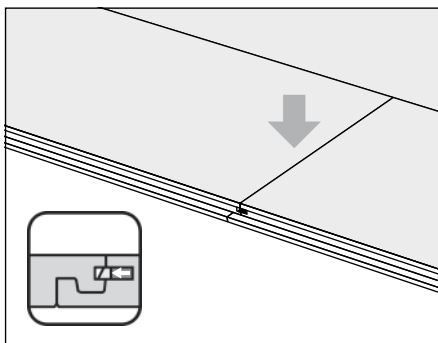
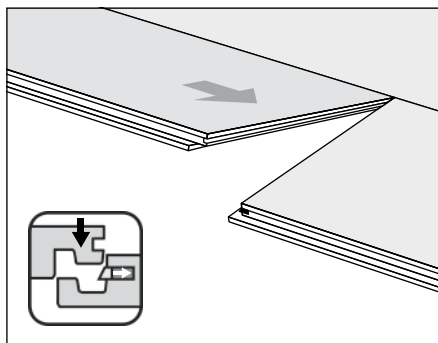
natural and vivid wood texture



MW

brushed grain structure

installation



rooms-products can be installed quickly, safely and are durable. Boards are angled in on the long sides, and easily pushed down on the short. Forget hammers, tapping blocks and pulling bars! An inbuilt plastic strip connects individual boards to the next with high precision. With only a few simple actions you will obtain a professional result in a short time.

Production and product control follow the standards of DIN EN 13329.
Technical data is subject to change without notice.



underlayments



GREENLINE

made of wood and
vegetable starch
790 × 590 × 1,8 mm

1 package = 15 sheets
1 pallet = 62 packages



SOUND

wood fibre insulation
800 × 675 × 5 mm

1 package = 20 sheets
1 pallet = 22 packages



SOUND PLUS

wood fibre insulation
800 × 675 × 2.5 mm
1 package = 20 sheets
1 pallet = 44 packages

10,000 × 675 × 2.5 mm
1 package = 1 roll
1 pallet = 24 rolls



SILVERLINE

aluminium-laminated
wood fibre insulation
10,000 × 675 × 5 mm

1 package = 1 roll
1 pallet = 60 rolls

skirtings



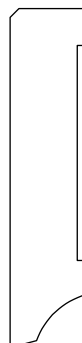
RF, MDF

white, chamfered,
suitable for painting
or varnishing

18 × 80 × 2400 mm

1 box = 10 pieces

1 pallet = 20 boxes



RP, MDF

white, sculpted,
suitable for painting
or varnishing

18 × 80 × 2400 mm

1 box = 10 pieces

1 pallet = 20 boxes



R 1, MDF

suits all decors and in
white (paintable),
for use with
mounting system

19 × 58 × 2400 mm

1 box = 10 pieces

1 pallet = 56 boxes



MOUNTING SYSTEM

for quick and easy
installation of
R 1 skirtings





rooms-floor.com

made in germany